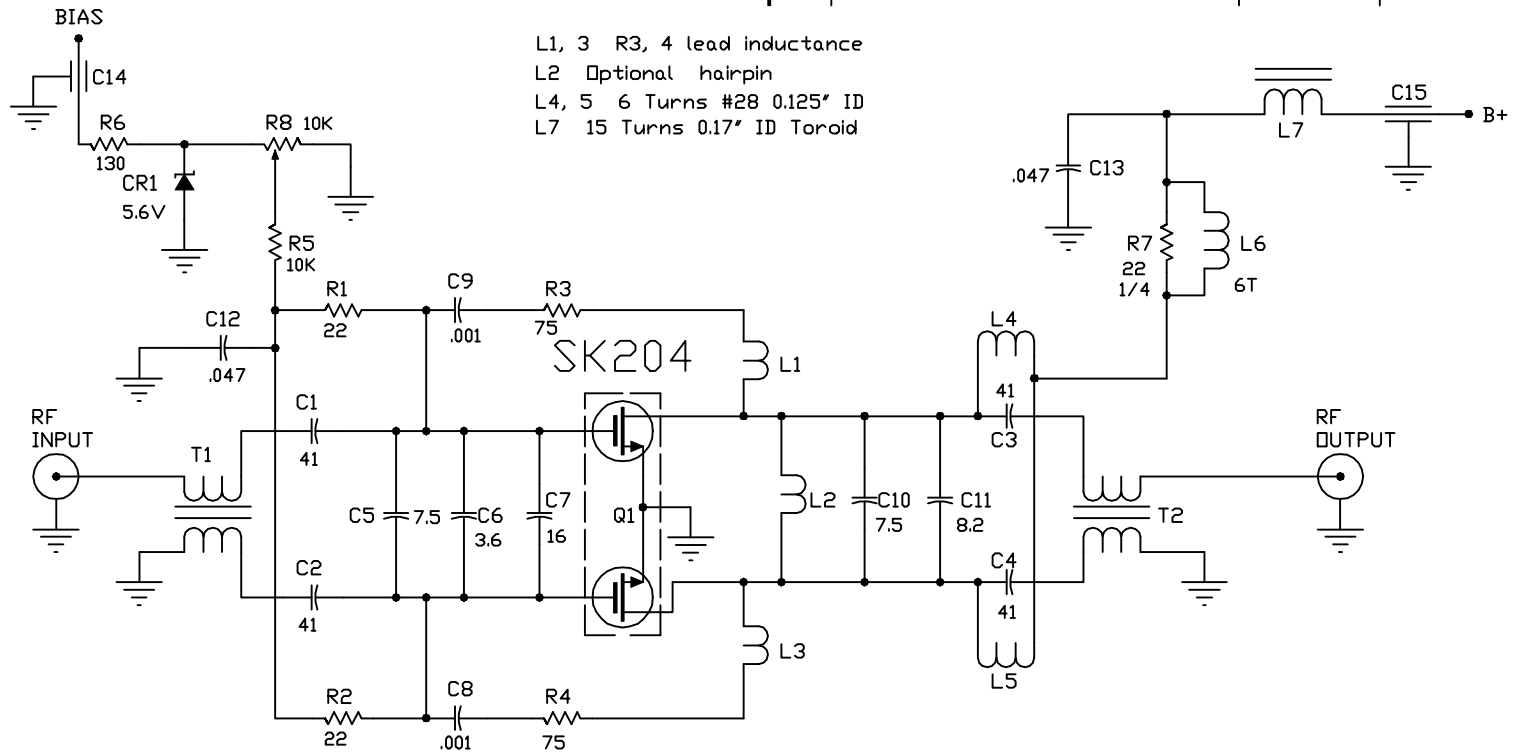


REVISIONS

REV	DESCRIPTION	DATE	APPROVED



GAIN = 13.5dB
 FLATNESS = ±0.5dB
 T1 & T2 = 1.750" 25Ω
 SEMI-RIGID COAX

DRN BY S. K. LEONG	5/15/99	POLYFET RF DEVICES	
CHKD		SCHEMATIC	
ELECT		600-800 MHz P.A.	
MECH		SIZE A	FSCM NO. TB-103
PRDC		SCALE:	REV
QUAL			
PGMS			SHEET OF

