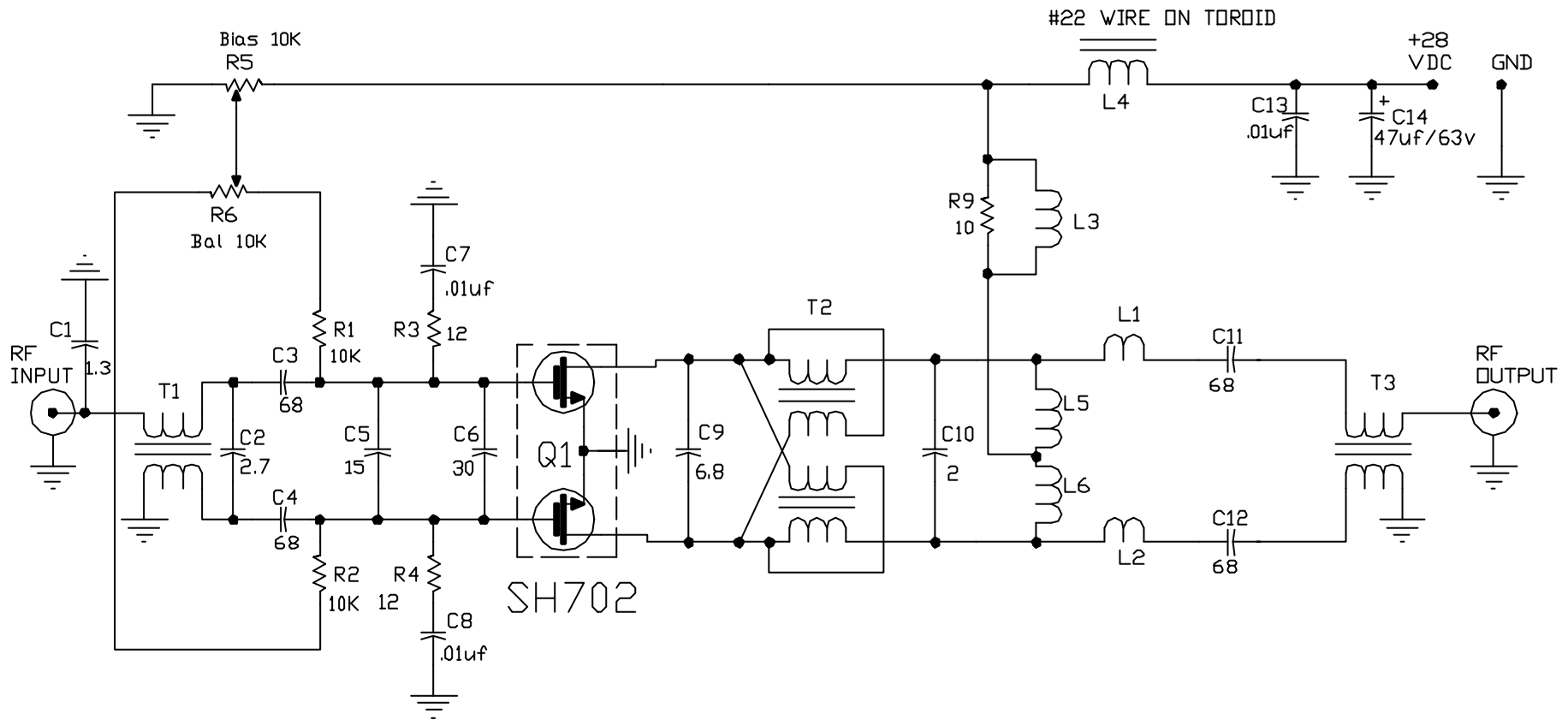


REVISIONS

REV	DESCRIPTION	DATE	APPROVED

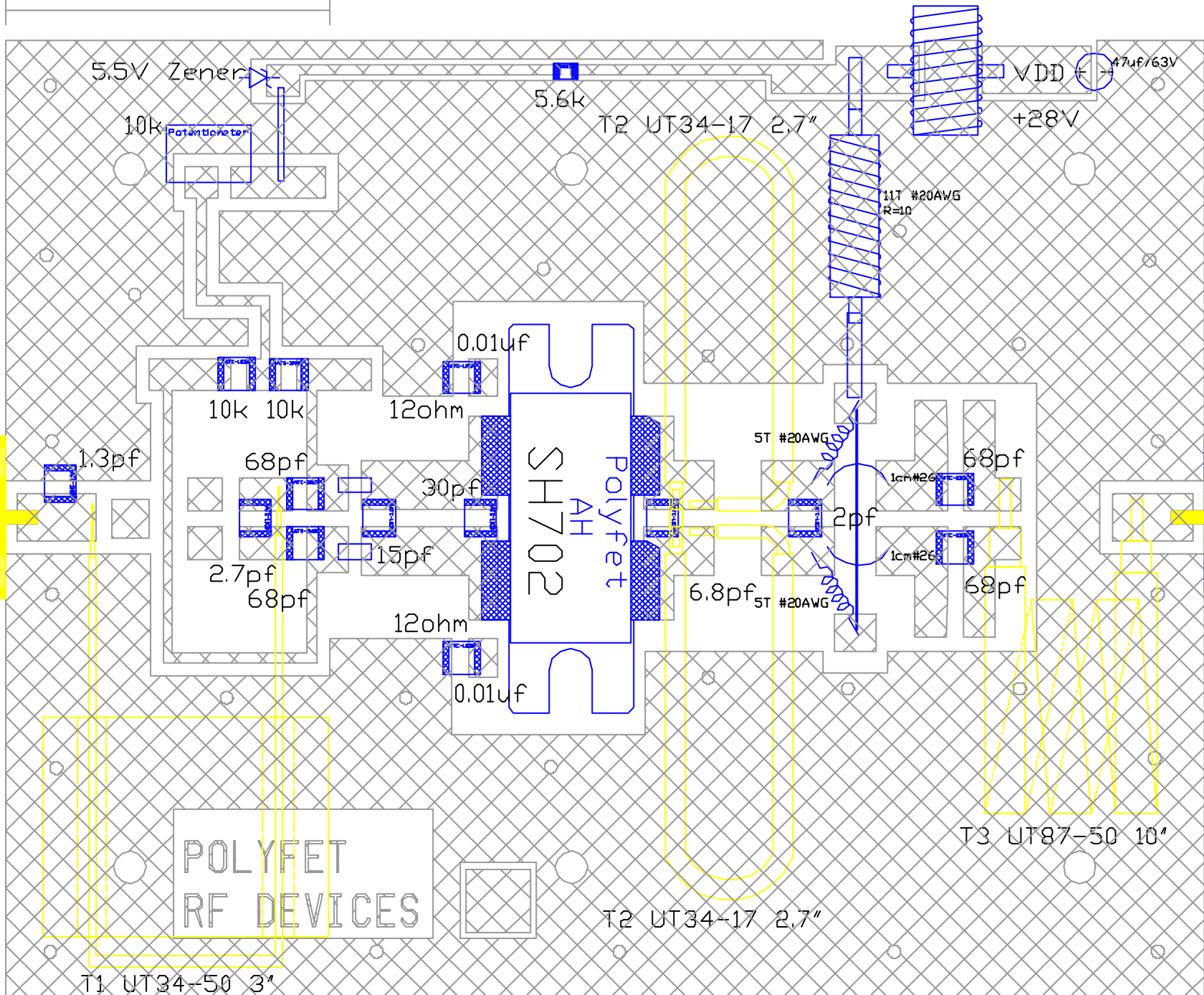


- T1 UT34-50 3"
- T2 UT34-17 2.7"
- T3 UT87-50 10"
- L1 & L2 1CM LONG #26AWG WIRE
- T1 FERRITE AMIDON BN-43-202 or equiv.
- L3 11 TURNS OF #20AWG WOUND OVER R9 .166" O.D.
- L5 & L6 5 TURNS OF #18AWG 0.315" I.D.
- R3 & R4 1/4 WATT
- R9 1/2W
- OTHER RESISTORS 1/8 WATT

DRN BY S. K. LEONG	6/6/2K
CHKD	
ELECT	
MECH	
PRDC	
QUAL	
PGMS	

POLYFET RF DEVICES			
SCHEMATIC			
100-500 MHZ BROADBAND AMPLIFIER			
SIZE	FSCM NO.	TB-106	REV
A			
SCALE:		SHEET 1 OF 1	

1 inch



5.5V Zener

10k Potentiometer

5.6k

T2 UT34-17 2.7"

47uf/63V

+28V

117 #20AWG
R=10

0.01uf

10k 10k

12ohm

1.3pf

68pf

30pf

SH702
AH
Polyfet

5T #20AWG

68pf

2.7pf

68pf

15pf

2pf

68pf

12ohm

6.8pf 5T #20AWG

0.01uf

POLYFET
RF DEVICES

T3 UT87-50 10"

T2 UT34-17 2.7"

T1 UT34-50 3"

