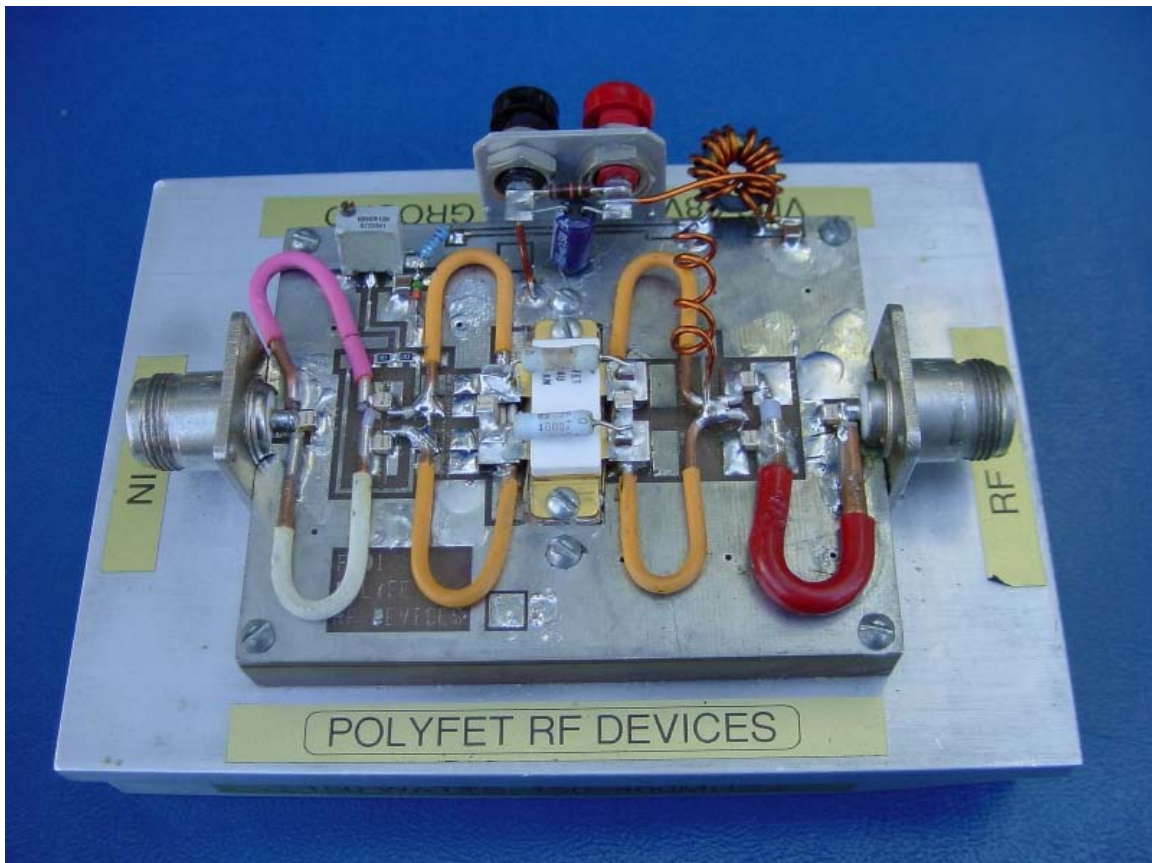
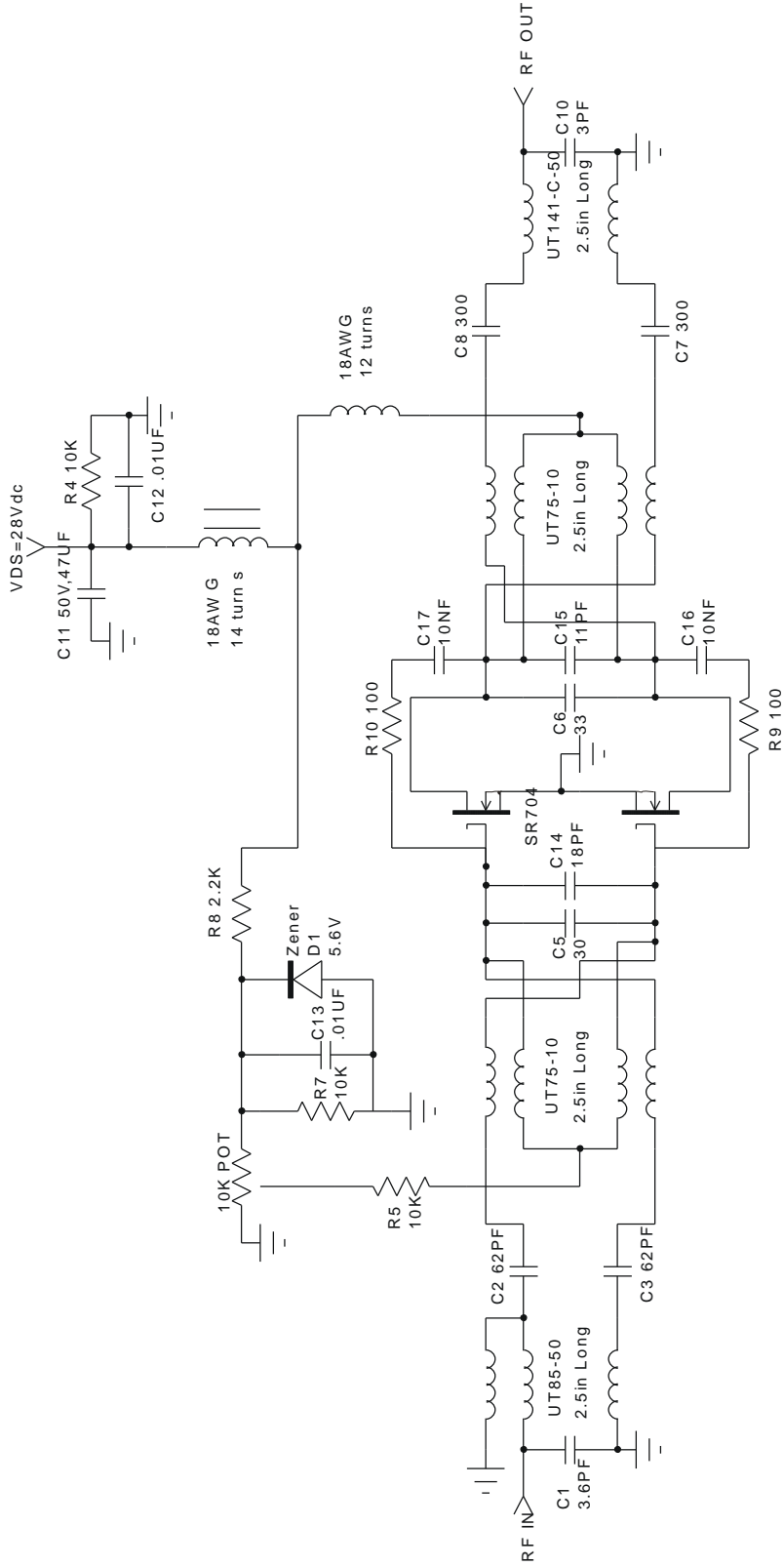


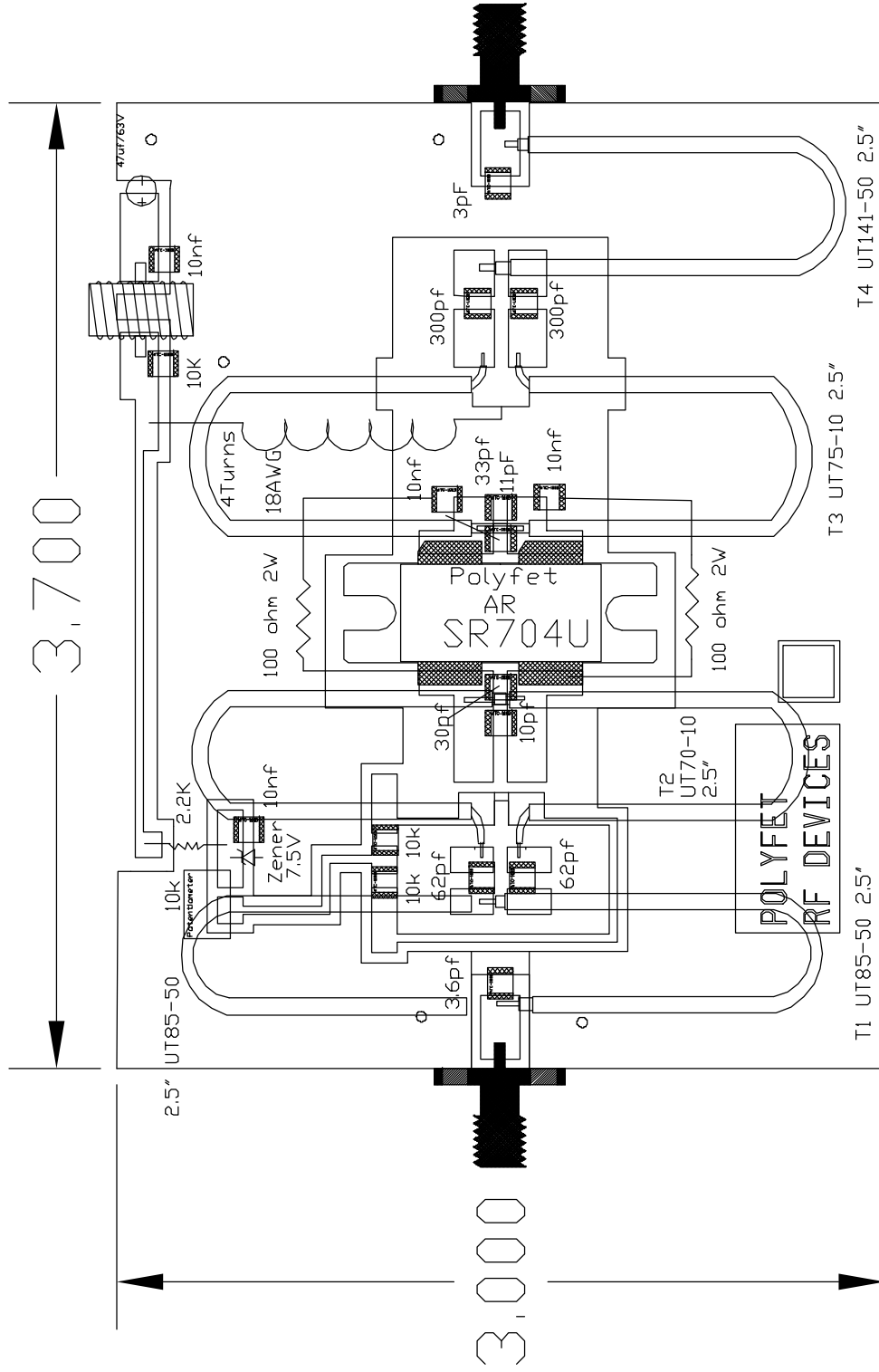
TB107-1A





DRN BY	J. Citrolo	10/24/02
CHKD		
ELECT		
MECH		
PRDC		
QUAL		
PGMS		

Polyfet RF Devices		
TB107-1A 150-400Mhz 150W		
SIZE	FSCM NO.	REV
	SR704U Vds=28Vdc Idq=800ma	A



POLYFET RF DEVICES

SR704U 150-400Mhz 150w 28Vdc 800ma

TB-107-1A

REV
A

SCALE: 1:1

SHEET 1 OF 1

DRN BY J. Citrolo	10/3/02
CHKD	
ELECT	
MECH	
PRDC	
QUAL	
PGMS	

PCB Material is FR4
T=,064in, 1oz Cu, Er=3.5