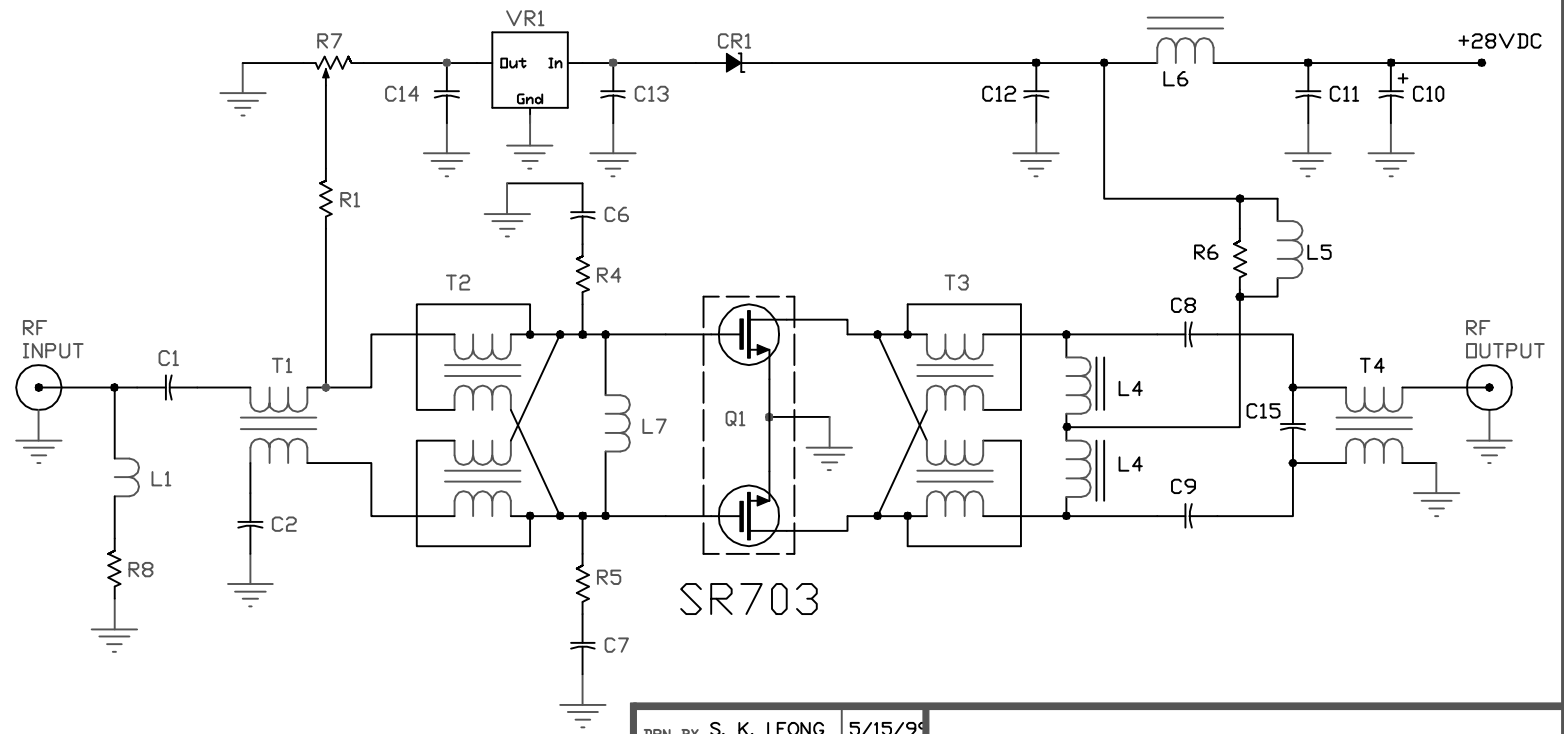


REVISIONS			
REV	DESCRIPTION	DATE	APPROVED



DRN BY S. K. LEONG	5/15/99	POLYFET RF DEVICES	
CHKD		SCHEMATIC	
ELECT		100-200 MHz AMPLIFIER	
MECH		SIZE A	FSCM NO. TB-113
PRDC			REV
QUAL		SCALE:	SHEET OF
PGMS			

TB-113 RF TEST DATA RECORD TEST SPECIFICATION - SR703 AMP REVISED							
VDS - 28 V		IDQ - 4.0 A			OPERATOR - KM		
UNIT #	Fq (MHz)	Pin (WATTS)	INPUT RT LOSS (DB)	Pout (WATTS)	ID (AMPS)	SMALL SIGNAL GAIN (db)	P-1db (WATTS)
1	100		-17			16	70
2	110		-19			15.4	71
3	120		-21			15.1	73
4	130		-22			14.9	84
5	140		-23			14.8	86
6	150		-23			14.8	87
7	160		-23			14.9	86
8	170		-22			15.2	87
9	180		-22			15.4	90
10	190		-23			15.4	91
11	200		-26			15	90

TB-113 RF TEST DATA RECORD TEST SPECIFICATION - #SR703 AMP REVISED							
VDS - 28 V		IDQ - 4.0 A			OPERATOR - KM		
UNIT #	Fq (MHz)	Pin (WATTS)	INPUT RT LOSS (DB)	Pout (WATTS)	17 ID (AMPS)	EFF %	HARMONIES 2ND, 3RD
1	100	3.5		100	8.00	44.6	-36, -23
2	130	4.2		100	7.68	46.5	-32, -28
3	150	3.8		100	7.52	47.5	-44, -33
4	170	3.4		100	7.56	47.2	
5	200	3.4		100	7.42	48.1	
6							
7							
8	100			150	9.90		
9	150			150	9.40		
10	200			148	9.00		
11							
12	100			150	9.80		
13	150			150	9.40		
14	200			150	9.30		
15							P-1db
16	100				6.70		65W
17	150				7.18		87W
18	200				2.33		91W

TB-113  
PARTS LIST-ASSEMBLY, SR703 100-200 MHz Idq 4A

ITEM	PART NO.	DESCRIPTION		REF DES.	QTY
1	SR703	TRANSISTOR FET	POLYFET	Q1	1
2	50 ohm COAX #UT34M 5" LONG, BALUN #BN43-202, 850u	TRANSFORMER		T1	1
3	18 ohm COAX CE18062 4 BALUN, #BN612402, 125u	TRANSFORMER 9:1 2.7" LONG EA SIDE		T2	1
4	3 TURNS, 5/8 DIA 18 ohm COAX CE18062	TRANSFORMER 9:1 9" LONG EA SIDE		T3	1
5	50ohm COAX .085 5/8" DIA, 5 TURNS	TRANSFORMER		T4	1
6	ATC 100B 561J CAX	CAPACITORS 560 pF	ATC	C1 & C2	2
7		CAPACITOR .082uF	ORI	C6,C7, C11,C12 C13 & C14	6
8		CAPACITOR CHIP	ATC	C15	1
9	ATC 200B 103M CAX	CAPACITORS 10KpF	ATC	C8 & C9	2
10		ELECTROLYTIC CAPACITOR 10MFD 35V		C10	1
11		RESISTOR 3.3K 1/4W		R1	1
12		RESISTORS 150 1/2W		R8	1
13		RESISTORS 12 1W		R4 & R5	2
14	RWR59520RFR	RESISTOR 20 3W	DALE	R6	1
15	RJ26FP103	POTENTIOMETER 10K	BOURNS	R7	2
16	MC78L12CP	POSITIVE VOLTAGE REGULATOR 12V	MOTOROLA	IC1	1
17	20 AWG, 8 TURNS 1/4-20 BOLT	INDUCTOR		L1	1
18	#18 AWG, 4 TURNS BN61202	INDUCTOR 125u		L4	1
19	18 AWG 7 TURNS	INDUCTOR		L5	1
20	18 AWG 10 TURNS TOROIDAL CORE #FT-50-43	INDUCTOR 850u		L6	1
21	22 AWG 1" LONG	INDUCTOR 1/2 TURN		L7	1
22		ZENER DIODE 10V		Z1	1