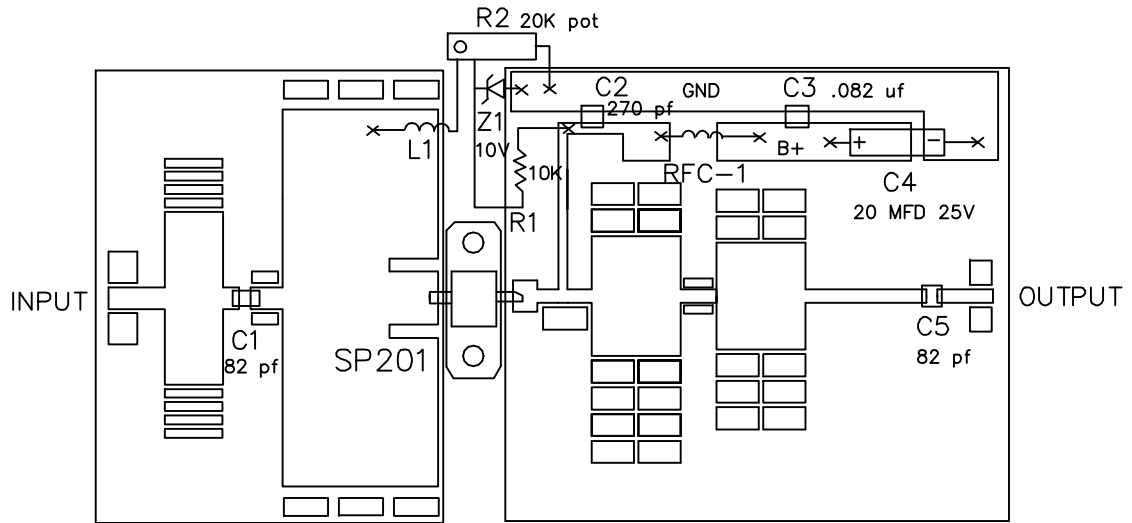
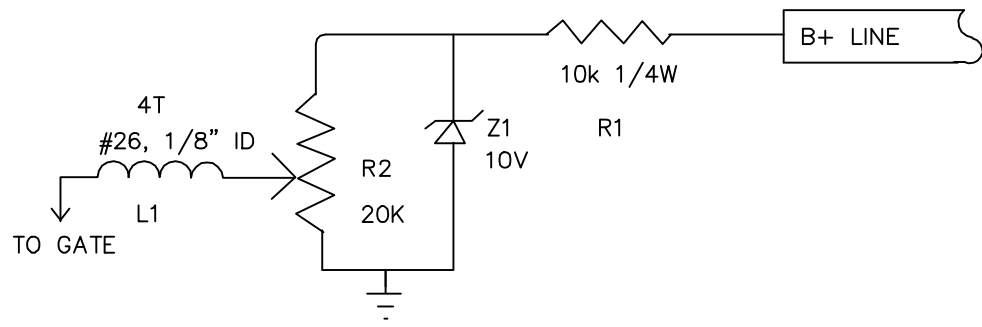


REVISIONS				
REV	ECO	DESCRIPTION	DATE	APPD BY



BIAS CIRCUIT



CONTR. NO.		POLYFET RF DEVICES	
DRN BY	S. K. LEONG	5/15/99	SCHEMATIC 900 - 1250 MHZ 2 WATTS
CHK BY			
ENGR			
PROC			
DESIGN			TB-121
APPROVED			
APPROVED			
SCALE		WEIGHT	SHEET OF

