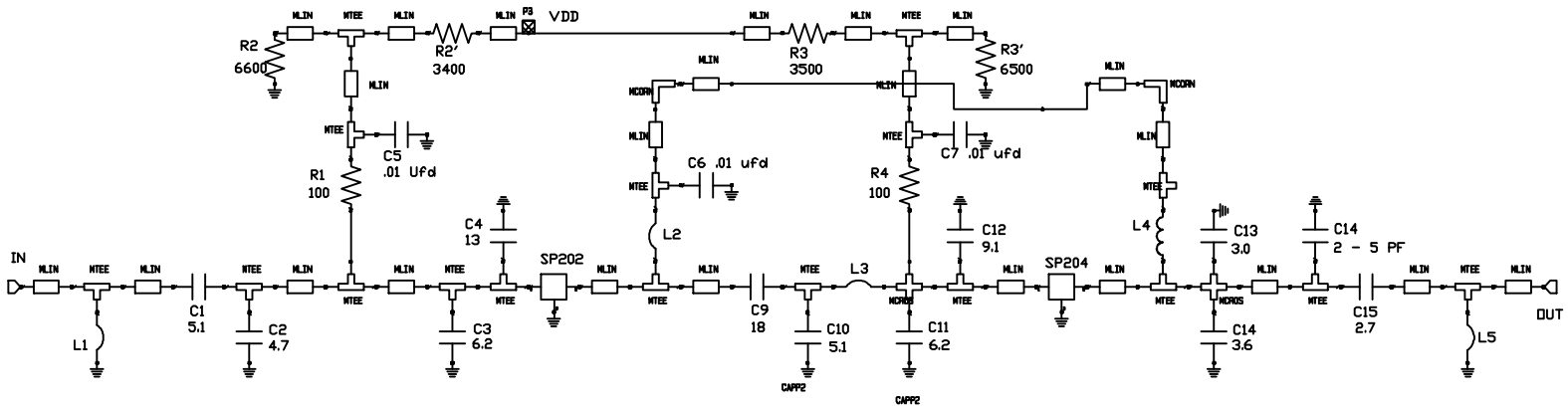


REVISIONS

REV	DESCRIPTION	DATE	APPROVED

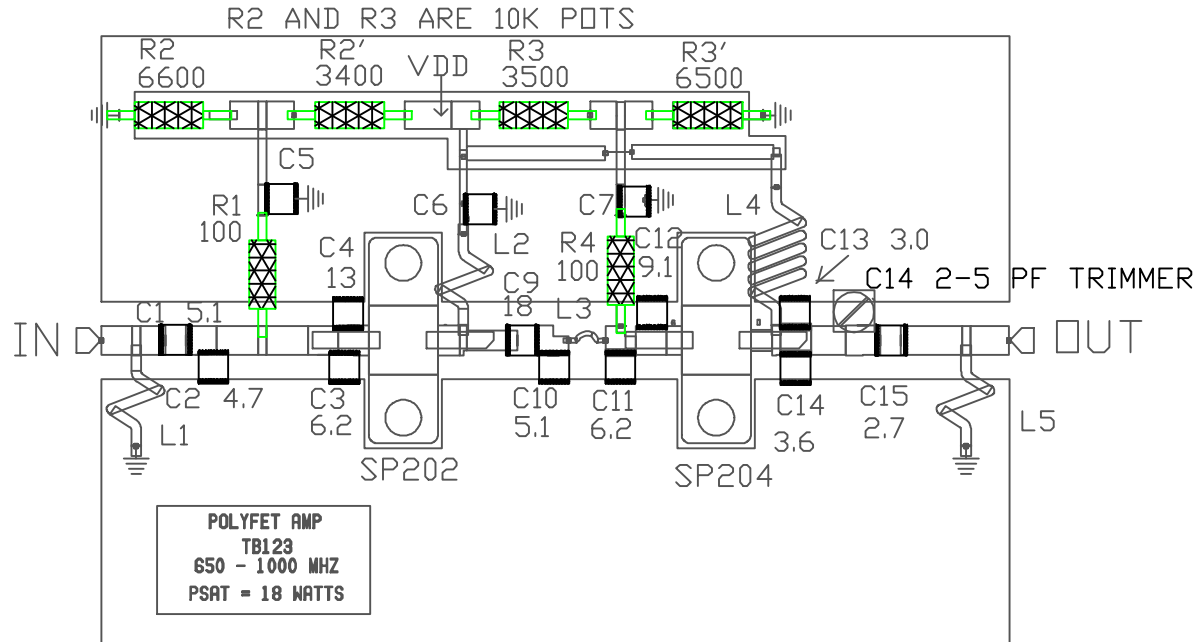


- 1. ALL CAPS IN PF
- 2. L1 = .7"; 30 MIL DIA
- 3. L2 = .8"; 25 MIL DIA
- 4. L3 = .2"; 30 MIL DIA
- 5. L4 = AIR IND, 5 TURNS; L=115 MIL, DIA = 105 MIL; AWG 22
- 6. L5 = .4"; 30 MIL DIA

DRN BY S.K. Leong	5/15/99	POLYFET RF DEVICES	
CHKD		SCHEMATIC	
ELECT		5W LINEAR, +47 DBM IP3	
MECH		SIZE	FSCM NO.
PRDC		A	TB - 123
QUAL			REV
PGMS		SCALE: NONE	SHEET 1 OF 2

REVISIONS

REV	DESCRIPTION	DATE	APPROVED



NOTES:-

- ALL CAPS IN PF
- C5 - C8 .01 UFD CERAMIC
- L1 = 0.7" 30 MIL DIA.
- L2 = 0.8" 25 MIL DIA
- L3 = 0.2" 30 MIL DIA
- L5 = 0.4" 30 MIL DIA
- L4 = AIR IND, 5 TURNS L=115 MIL, DIA = 105MIL AWG 22

DRN By S.K. LEONG	5/15/99	Polyfet RF Devices	
CHKD		5W LINEAR, +47DBM IP3	
ELECT		SIZE	FSCW NO.
MECH		A	TB-123
PRDC			REV
QUAL			
PGMS			