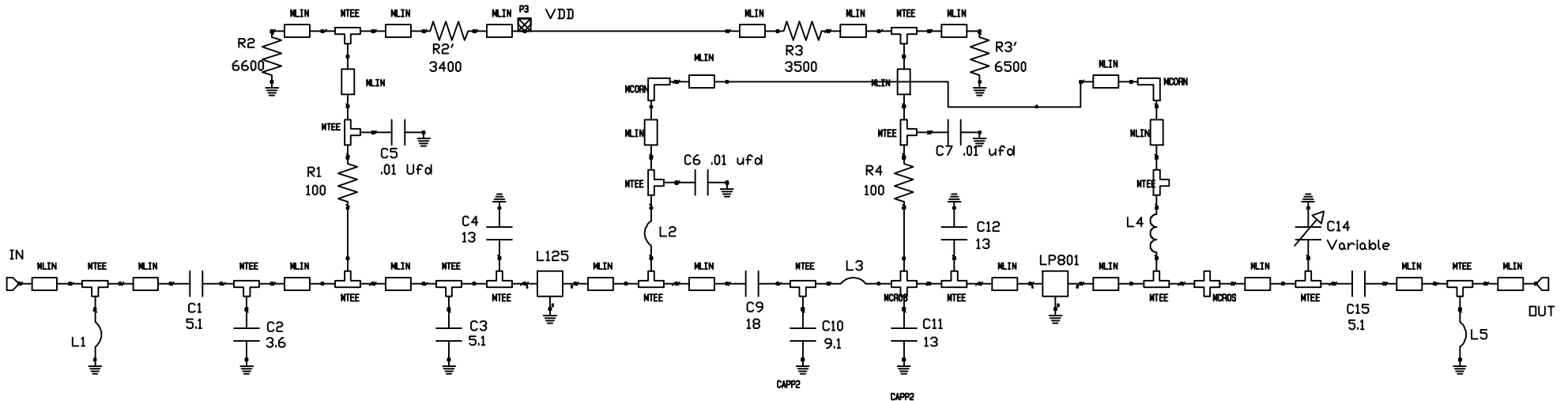


REVISIONS

REV	DESCRIPTION	DATE	APPROVED
-----	-------------	------	----------



- 1. ALL CAPS IN PF
- 2. L1 = .7'; 30 MIL DIA
- 3. L2 = .8'; 25 MIL DIA
- 4. L3 = .2'; 30 MIL DIA
- 5. L4 = AIR IND, 5 TURNS; L=115 MIL, DIA = 105 MIL; AWG 22
- 6. L5 = .4', 30 MIL DIA

DRN By M.Boyd	1/19/99	POLYFET RF DEVICES	
CHKD		SCHEMATIC	
ELECT		850-900MHZ, 9W 1dB Comp	
MECH		SIZE	FSCM NO.
PRDC		A	TB - 139
QUAL		REV	
PGMS		SCALE: NONE	SHEET 1 OF 1

