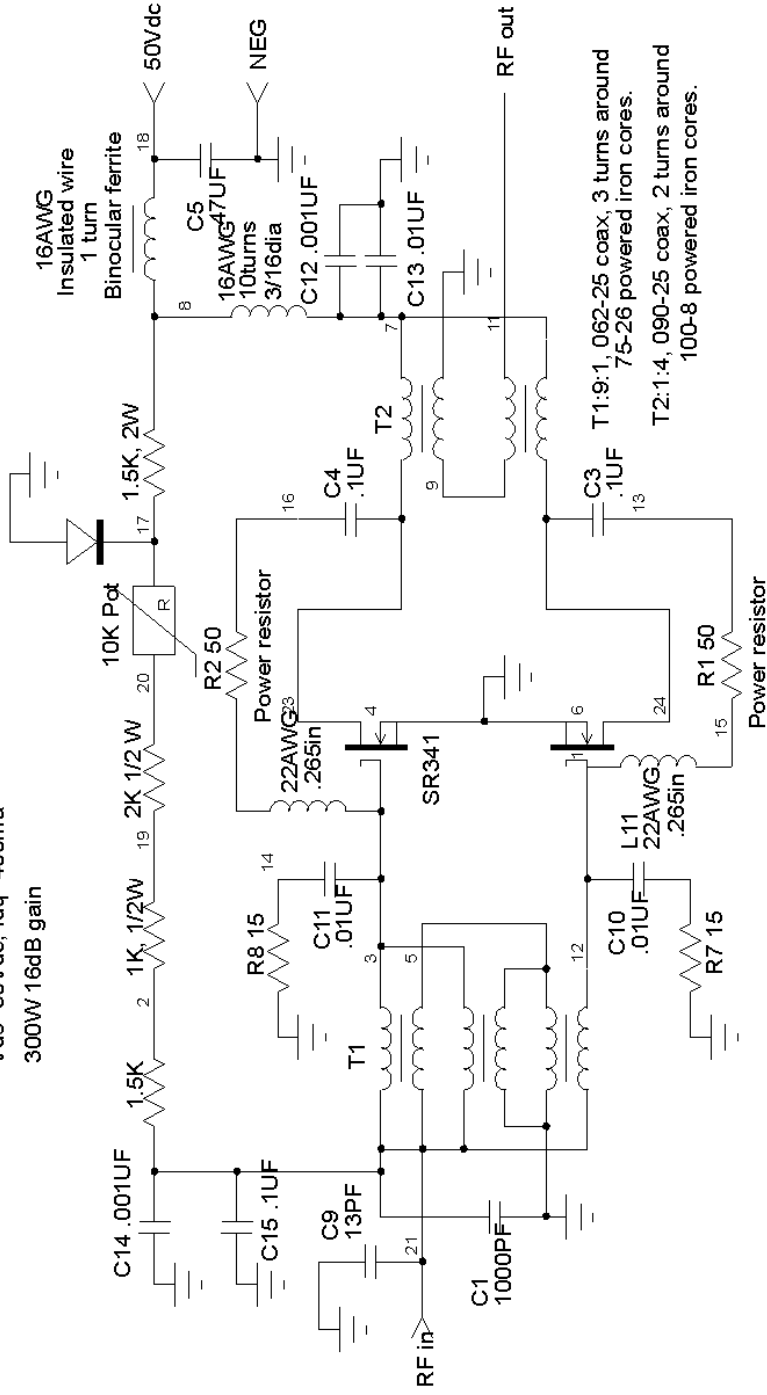


Polyfet RF Devices
 Demonstration amp TB156
 SR341 88-108Mhz
 V_{ds}=50Vdc, I_{dq}=400ma
 300W 16dB gain



DRN BY	J.Citrola	7/26/01	Polyfet RF Devices	
CHKD.			TB-156 300W FM Broadcast	
ELECT			SIZE	FSCM NO.
MECH			A	SR341
PRDC				REV
DUAL				
FORM				